

INFORMATION

The ThinWallBolt is a zinc flake coated or stainless steel A2-70 blind fixing for use in a thin walled section or a hollow section.

The unique design helps to reduce the installation time.

The wide range of sizes gives flexibility of choosing the correct bolt according to the fixture thickness.

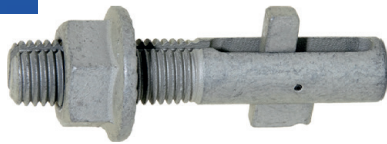
APPLICATIONS

- Box Sections
- Thin Walled Sections
- Hollow Profiles
- Simple Connections
- Lightweight Steel Sheet
- Lightweight Cladding Material

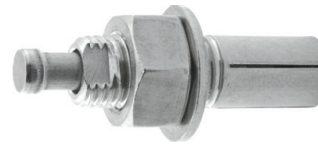
FEATURES

- Quick And Secure Installation
- No Over-sized Hole Required
- High Shear Capacity
- Low Profile Head
- High Performance Property Class
- Zinc Flake Or Stainless Steel A2-70
- Reaction To Fire Class A1

RELATED PRODUCTS



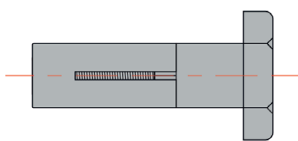
BlindBolt



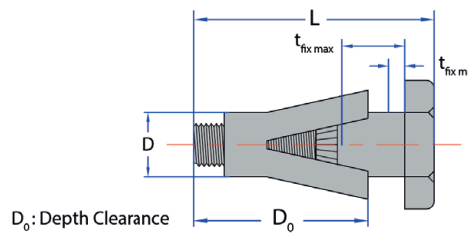
HeavyDutyBolt

RANGE AND LOAD DATA

RANGE DATA									
Part Number	Size	Length	Hole Diameter	Fixture Thickness		Depth Clearance	Width Across Flats	Width Across Corners	Nominal Hex Socket Size
	D	L		Minimum	Maximum				
	(mm)	(mm)	d_0	$t_{fix, min}$	$t_{fix, max}$	D_0	A/F	A/C	S
Zinc Flake - Property Class 8.8									
BBTW0810ZN	8	35	8	2	10	35	14.3	16.3	3
BBTW0816ZN	8	40	8	8	16	40	14.3	16.3	3
BBTW1010ZN	10	40	10	2	10	35	17	19.5	4
BBTW1016ZN	10	45	10	8	16	40	17	19.5	4
BBTW1310ZN	13	45	13	2	10	45	21	24	5
BBTW1316ZN	13	50	13	8	16	50	21	24	5

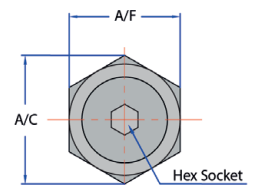


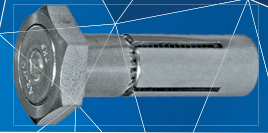
Before Installation



D_0 : Depth Clearance

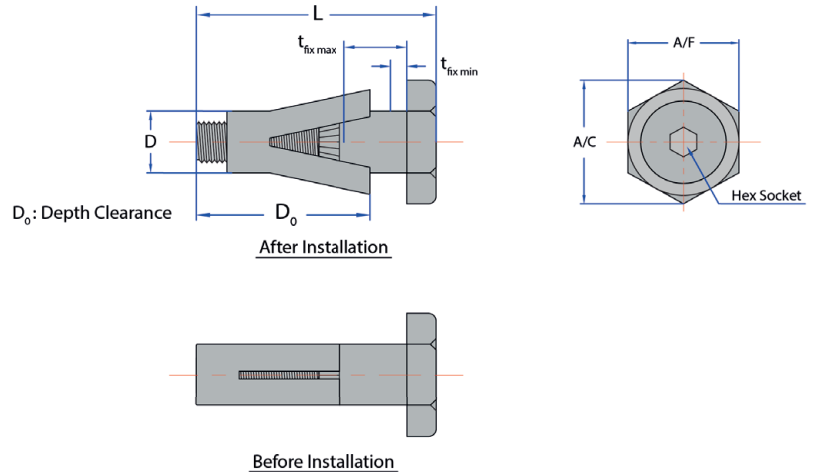
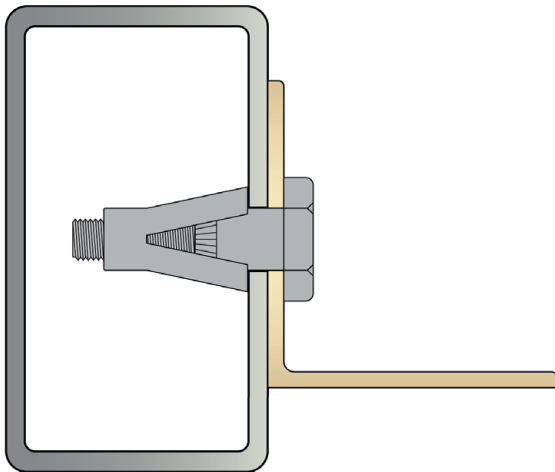
After Installation





RANGE DATA

Part Number	Size	Length	Hole Diameter	Fixture Thickness		Depth Clearance	Width Across Flats	Width Across Corners	Nominal Hex Socket Size
	D	L	d ₀	Minimum	Maximum	D ₀	A/F	A/C	S
	(mm)	(mm)	(mm)	t _{fix, min} (mm)	t _{fix, max} (mm)	(mm)	(mm)	(mm)	(mm)
Stainless Steel A2-70									
BBTW0810SS	8	35	8	2	10	35	14.3	16.3	3
BBTW0816SS	8	40	8	8	16	40	14.3	16.3	3
BBTW1010SS	10	40	10	2	10	35	17	19.5	4
BBTW1016SS	10	45	10	8	16	40	17	19.5	4
BBTW1310SS	13	45	13	2	10	45	21	24	5
BBTW1316SS	13	50	13	8	16	50	21	24	5



INSTALLATION INSTRUCTIONS

To watch the video, please click on the link or scan the QR code:

-ThinWallBolt Installation:

<https://vimeo.com/84037479>

